

# VFS Butterfly Valves



Butterfly valve in stainless steel, designed to meet sanitary processing system requirements, composed of two heads and a shutter disk enclosed in a seal gasket. Thanks to their internal design and the wide bore, they guarantee a gentle treatment of the product flow, a minimization of turbulence, contamination and a low pressure drop. The liquid can flow in either direction and the valve operates as an ON/OFF system. The seal gasket is conceived to be flush to the internal passage, avoiding product entrapment.



## ADVANTAGES:

- ✓ Hygienic design
- ✓ Low pressure drop and minimization of turbulence
- ✓ Quick, quarter-turn operation
- ✓ Easy to automate pneumatically
- ✓ Wide range of applications
- ✓ Simple and fast maintenance
- ✓ Certified materials for Pharmaceutical use
- ✓ Full traceability

## APPLICATION:

Designed for meeting the requirements of the plants in the Pharmaceutical, Food & Beverage, Cosmetics, Dairy, Fine Chemicals industries.

The hygienic design is completed by the heads assembled by means of hidden screws and the internal and external surface finishing.

<b>Size range</b>	From 3/4" up to 10"
<b>End connections</b>	Tri-Clamp or butt weld dimensionally according to ASME BPE
<b>Stainless steel in contact parts Material</b>	AISI 316L - 1.4404
<b>Seal Material</b>	SILICONE (standard) - EPDM ("till 2" included) - FKM
<b>Internal surface finish</b>	Ra ≤ 0.5µm
<b>Working pressure rating</b>	From 3/4" to 4" Vacuum ÷ 10 barg From 6" to 10" Vacuum ÷ 6 barg
<b>Working temperature rating</b>	0°C ÷ 150°C [Only for sterilization or short time]
<b>Certifications</b>	3.1 material certificates (in contact) according to UNI EN 10204 FDA USP Class VI ATEX <b>other certificates on request</b>

\*For actuators and optional see page 3

For further details about codes and download of the drawings, visit our  
[CONFIGURATOR](#)

### CONFIGURATOR



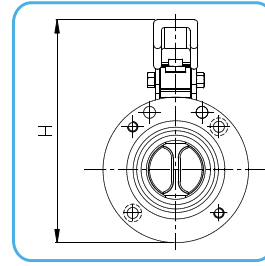
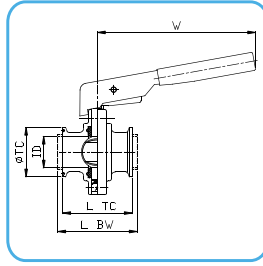
### DATASHEETS



Last updates can be found on our website - [www.aerreinox.it](http://www.aerreinox.it)  
In the interests of development of the product, we reserve the right to change the specifications without prior notice



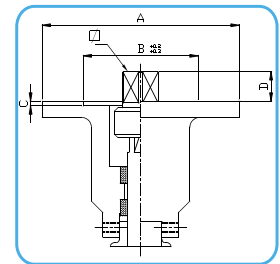
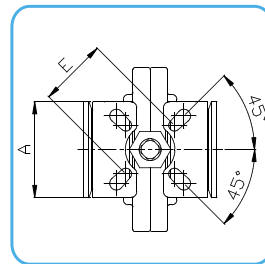
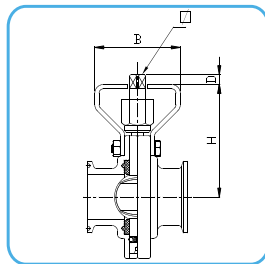
## MANUAL HANDLE



CODE	Size inch	ØTC mm	ID mm	LTC mm	LBW mm	W mm	H mm
VFS-075AHAH-XM2P-1 1A	¾"	25	15.75	65	65	160	138
VFS-100AJAJ-XM2P-1 1A	1"	50.5	22.1	65	65	156	124
VFS-150AMAM-XM2P-1 1A	1" ½	50.5	34.8	70	70	160	144
VFS-200ANAN-XM2P-1 1A	2"	64	47.5	70	70	160	162
VFS-250AOAO-XM2P-1 1A	2" ½	77.5	60.2	70	70	160	159
VFS-300APAP-XM2P-1 1A	3"	91	72.9	70	70	160	163
VFS-400ARAR-XM2P-1 1A	4"	119	97.4	80	80	190	208
VFS-600AVAV-XM2P-1 1A	6"	167	146.8	122	74	366	316
VFS-800AWAW-XM2P-1 1A	8"	217.7	197.8	125	125	366	363
VFS-P10AXAX-XM2P-1 1A	10"	268.5	248.6	94	94	366	409

\* code **A** = TC Tri-clamp    code **B** = BW butt weld  
 Seal material code **X** = SILICONE    code **V** = FKM    code **E** = EPDM

## MOUNTING PAD ISO 521 1 FOR PNEUMATIC ACTUATOR



CODE	Size inch	A mm	B mm	C mm	D mm	E mm	ISO	□	Nm	H mm
VFS-075AHAH-XW-1 1A	¾"	50	60	/	12	36/50	F03/F05	14	21	76
VFS-100AJAJ-XW-1 1A	1"	50	60	/	12	36/50	F03/F05	14	21	76
VFS-150AMAM-XW-1 1A	1" ½	50	60	/	12	36/50	F03/F05	14	21	79
VFS-200ANAN-XW-1 1A	2"	60	72	/	13.5	42/50	F04/F05	14	21	100
VFS-250AOAO-XW-1 1A	2" ½	60	72	/	11.5	42/50	F04/F05	17	42	104
VFS-300APAP-XW-1 1A	3"	60	72	/	9	42/50	F04/F05	17	42	111
VFS-400ARAR-XW-1 1A	4"	90	110	/	17.5	70	F07	22	161	127
VFS-600AVAV-XW-1 1A	6"	120	70	3	21	102	F10	22	325	181
VFS-800AWAW-XW-1 1A	8"	120	70	3	15	102	F10	22	325	209
VFS-P10AXAX-XW-1 1A	10"	120	70	3	20	102	F10	27	563	234

\* code **A** = TC Tri-clamp    code **B** = BW butt weld  
 Seal material code **X** = SILICONE    code **V** = FKM    code **E** = EPDM

Refer to the table above for other dimensions

### CONFIGURATOR

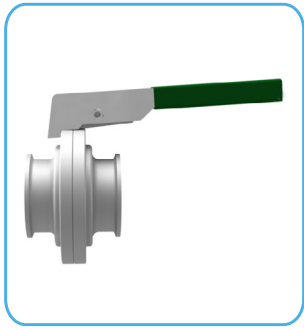


### DATASHEETS

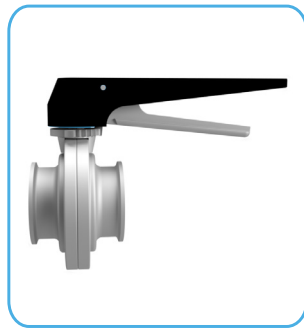


Last updates can be found on our website - [www.aerreinox.it](http://www.aerreinox.it)  
 In the interests of development of the product, we reserve the right to change the specifications without prior notice

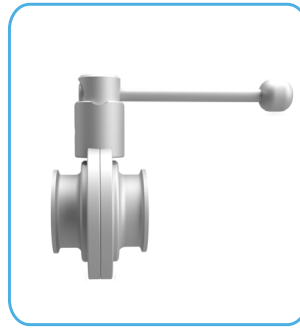




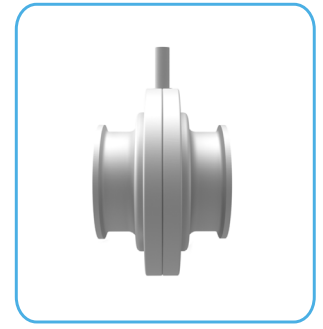
**MANUAL  
THERMOPLASTIC 2  
POSITIONS**



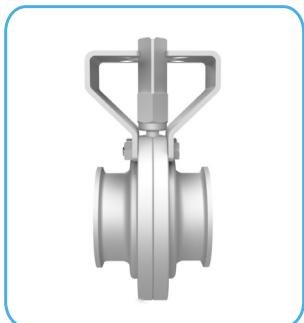
**MANUAL  
THERMOPLASTIC  
12 POSITIONS**



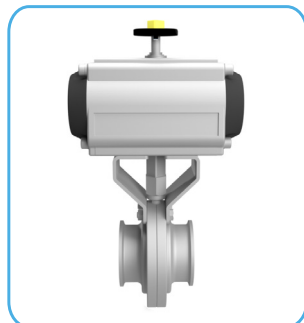
**STAINLESS STEEL  
EXTRACTION HANDLE  
2 POSITIONS**



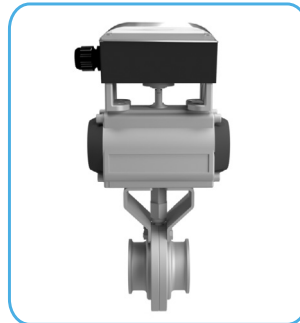
**BARE SHAFT**



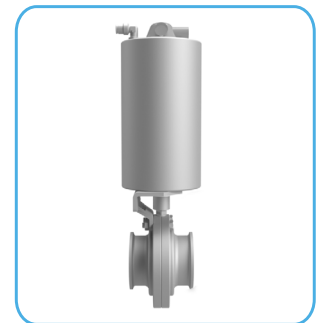
**WITH BRACKETS**



**PNEUMATIC  
ACTUATOR SIMPLE  
OR DOUBLE EFFECT**




**PNEUMATIC  
ACTUATOR +  
SWITCH BOX**



**PNEUMATIC  
VERTICAL SIMPLE  
EFFECT**

## OPTIONAL

- Pneumatic actuator stainless steel simple effect
- Pneumatic actuator stainless steel double effect
- Manual/pneumatic lockable version
- Electropolishing
- Other Materials
- Connections according to other norms
- Customizable on request
- ATEX certification  II 2G Ex h IIB T6...T3 Gb X  
II 2D Ex h IIIC T85°C...T165°C Db X

### CONFIGURATOR



Last updates can be found on our website - [www.aerreinox.it](http://www.aerreinox.it)  
In the interests of development of the product, we reserve the right to change the specifications without prior notice

### DATASHEETS

